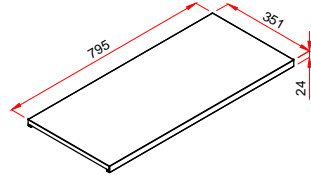
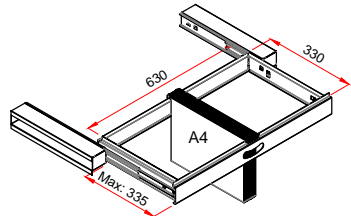


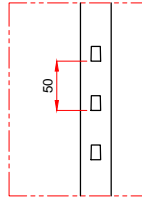
4x



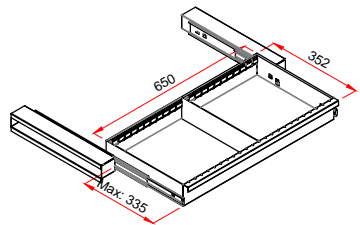
OPTIONAL



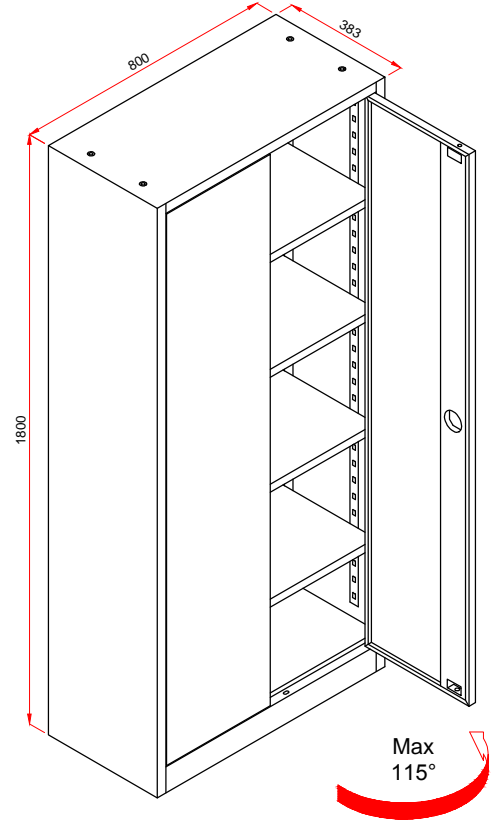
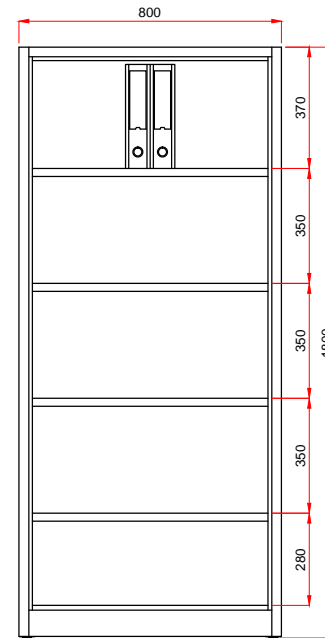
Shelf Increment

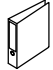



OPTIONAL



OPTIONAL



|                                |  |  |
|--------------------------------|--|--|
| ARCH FILE -<br>SUSPENSION FILE |  7 cm |  A4 |
| CAPACITY (PCS)                 | 10   | 99   |
| SHELF NUMBER                   | 4  |  |
| SHELF INCREMENT                | 50   |  |
| SHELF SIZE                     | 351(d) x 795(w)  |  |

|        |
|--------|
| CODE   |
| FLC.18 |

**GURKAN**

1800\*800\*383 mm DOSYA DOLABI