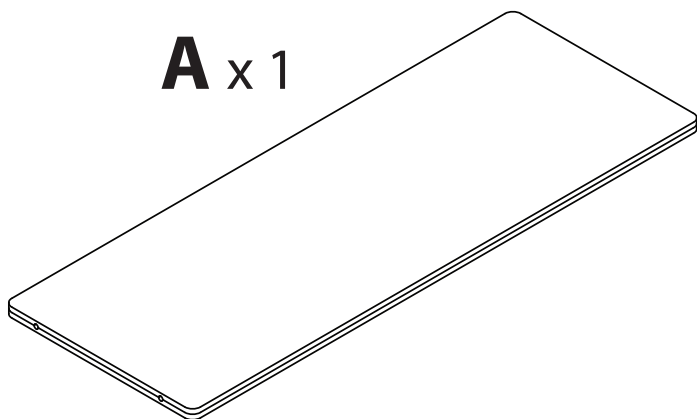
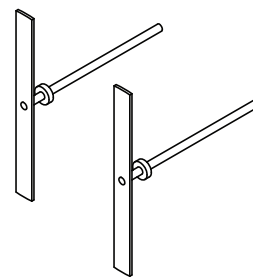


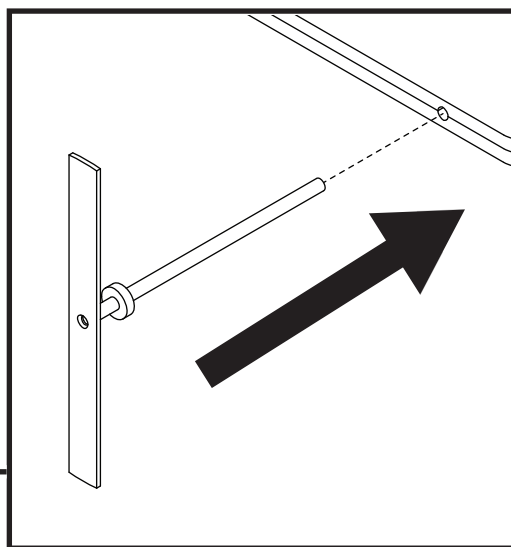
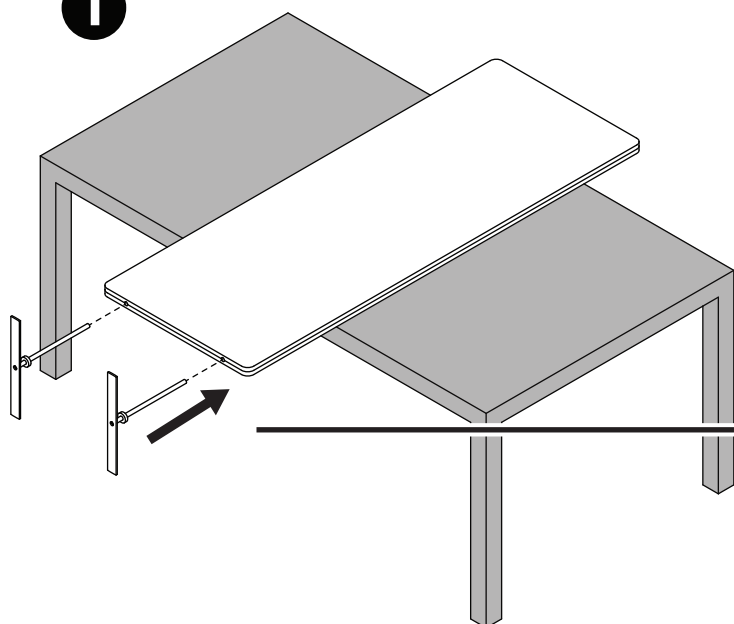
A x 1



B x 2



1



2

